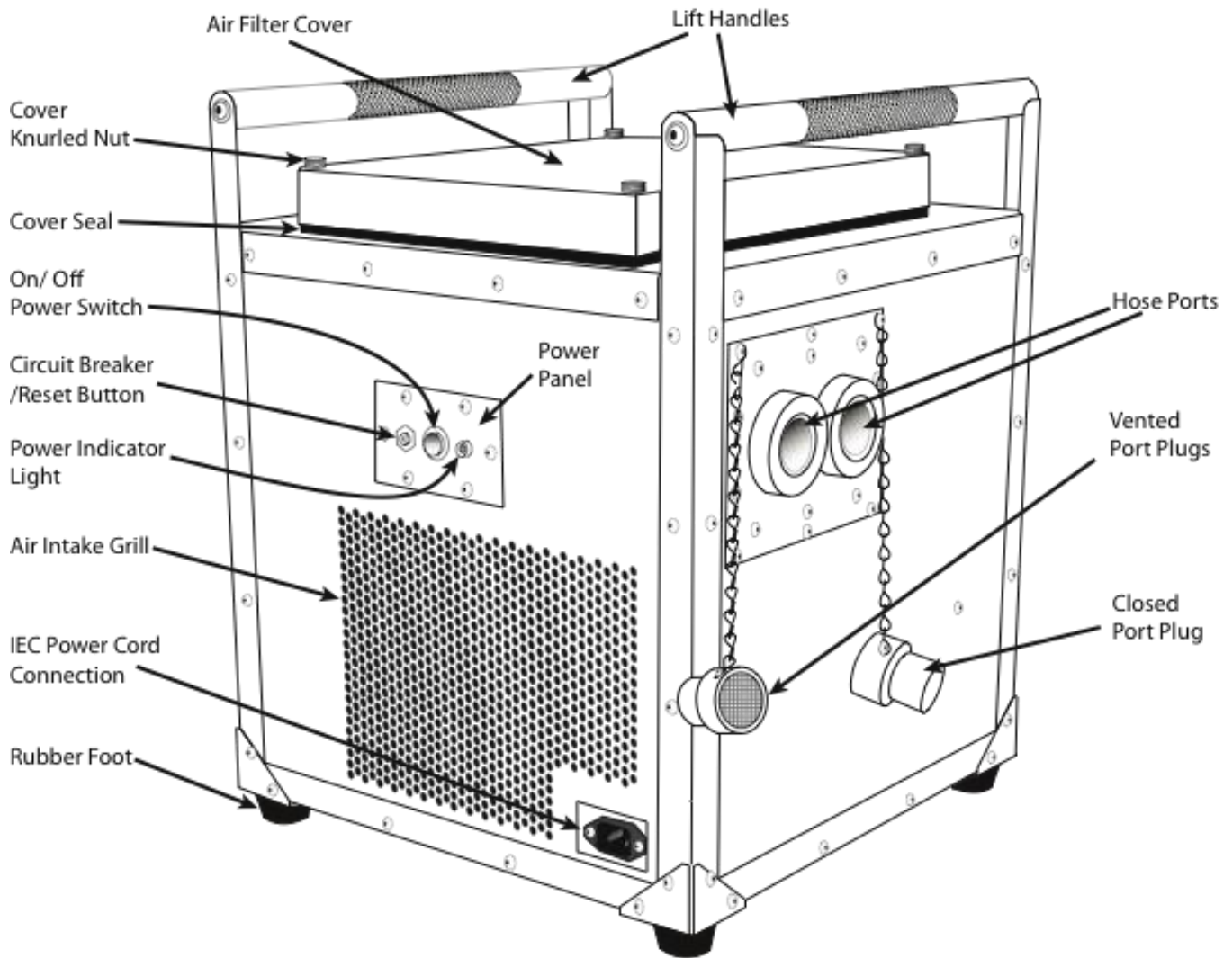


OPERATING YOUR POLAR BREEZE®

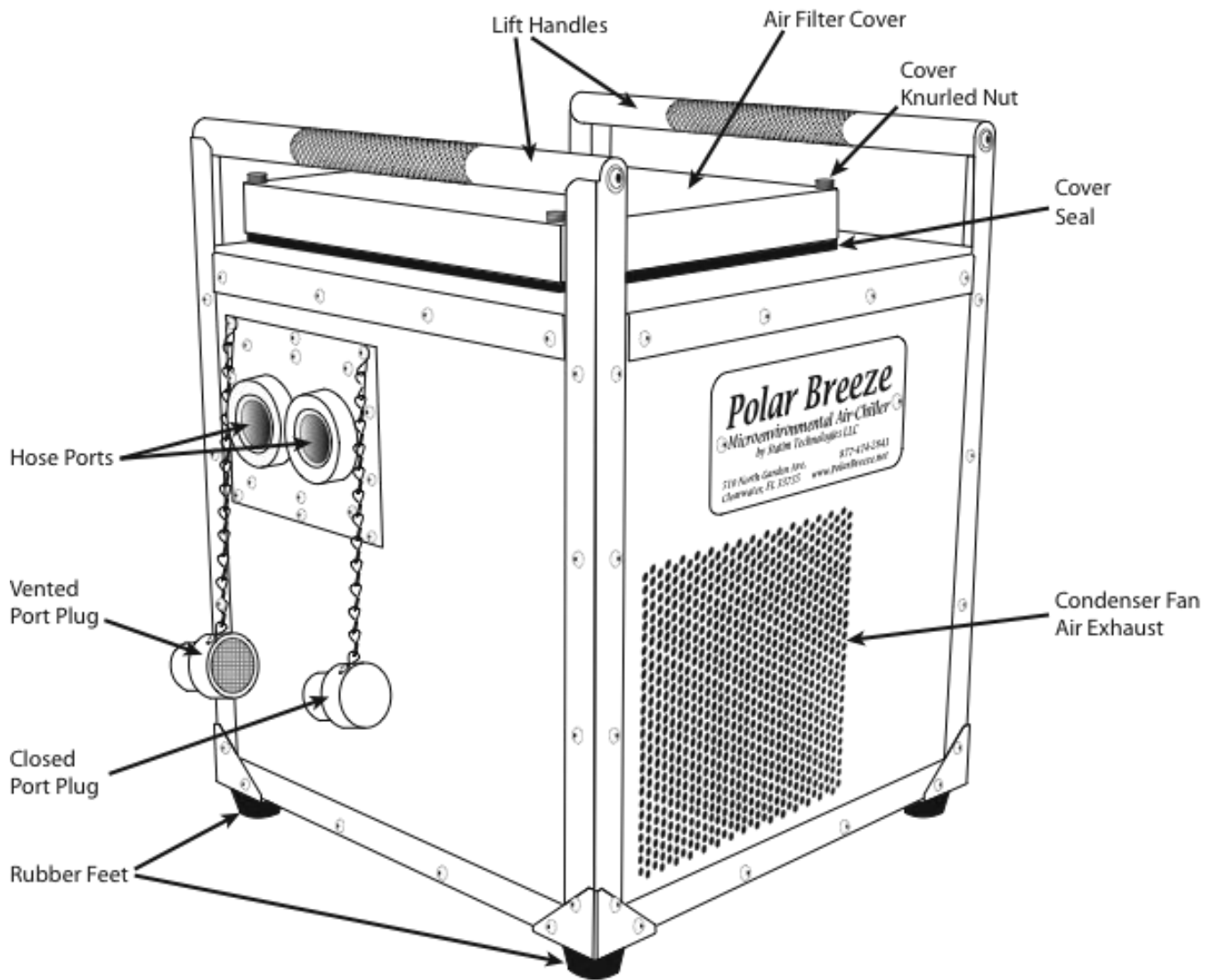
Statim Technologies, LLC

DO NOT USE IF YOU HAVE ASTHMA, COPD, OR OTHER SERIOUS LUNG DISEASE OR OTHER MEDICAL CONDITION PROHIBITING RAPID COOLING OF YOUR LUNGS OR BODY WITHOUT FIRST CONSULTING YOUR PHYSICIAN.



Polar Breeze Mark 100

Fig. 1



Polar Breeze Mark 100

Fig. 2

1. Read the IMPORTANT SAFETY INSTRUCTIONS AND PRECAUTIONS in the Operator's Manual.
2. Take the machine out of the shipping box using two strong adults to lift the machine using the top handles without tipping or laying the 72-pound Polar Breeze® on its side. The machine should only be moved or lifted by two adults. This prevents the machine tipping more than 20 degrees (compressor damage) as well as bodily injury.

3. As a precaution for the Polar Breeze® being tipped or laid on its side during transport, let your Polar Breeze® machine sit upright 24 hours without turning on after it has arrived. The Polar Breeze® contains a compressor similar to all refrigeration devices and must sit upright for 24 hours prior to turning on. This is necessary because there is no guarantee your machine may have tipped during shipment. A failure to do so may damage the compressor in the machine.
4. Before using, check the area for hazards such as extreme heat, fire, flammable gas or liquids, possible hazards to power cord, or where Polar Breeze® can be damaged.
5. Place the Polar Breeze® on a flat, stable, and preferably porous surface for condensate water drainage as Fig 3.

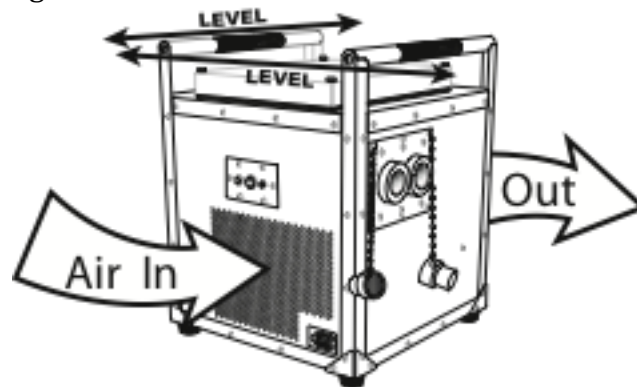


Fig. 3

6. Optional: place the machine in the shade or place the machine under a table with open sides all around. The table shades the machine which will assist in operating at a slightly cooler temperature and may protect the Polar Breeze® from rain and falling debris.
7. Plug in the recommended undamaged IEC-GFI cord properly into the side of the machine itself as in Fig. 4 and then into a live 120vAC circuit or a 1000 generator that can handle an 8.6 Amps start-up. **REMEMBER TO NEVER USE AN ECO MODE ON ANY GENERATOR. TURBINE BLOWER WILL NOT START AND THIS MAY DAMAGE THE COMPRESSOR'S START CAPACITOR.**

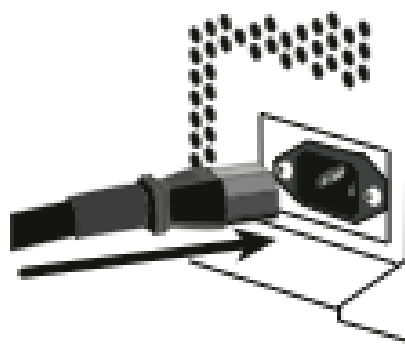


Fig. 4

8. If the plug is damaged, replace with a heavy gauge LCDI power cord from the manufacturer.
9. A 10-gauge or heavier extension cord up to 100 feet is adequate when a wall outlet is not nearby or a generator is not available. This extension cord must be grounded and rated for at least 15 AMPS and 120 VAC.
10. REMOVE THE VENTED (SCREENED) PLUG FROM THE LEFT PORT and plug in the hose as in Fig. 5. If a second hose is needed, remove the solid plug from the right port and plug in the second hose. **NOTE: If a single hose is used, leave the second port closed. Opening the second port will effectively eliminate first port airflow into the Hose (causes hose bypass) and its attached Hood.**

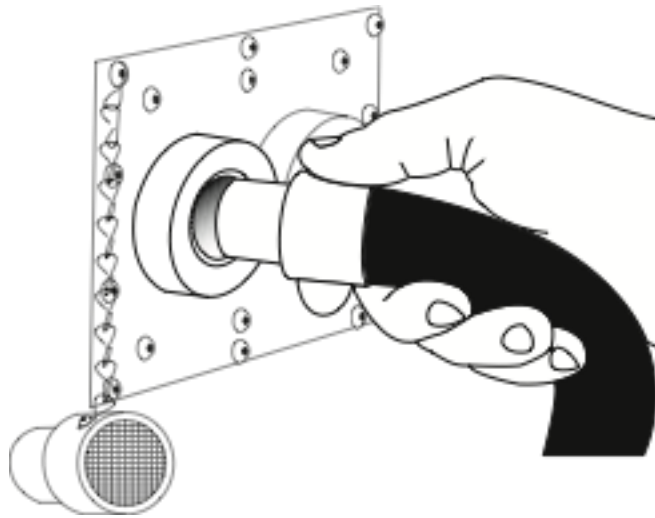


Fig. 5

11. Depress the power switch to the ON position as in Fig. 6. Though the machine will be quite cool within 60 seconds, it may take five minutes for the machine to cool maximally.

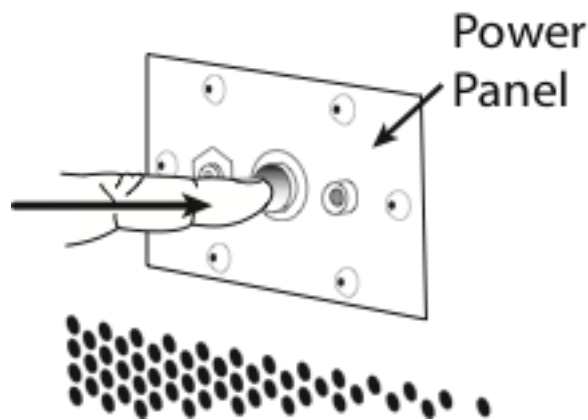


Fig. 6

12. Do not move the machine while in operation as compressor damage may result. To move the machine, turn the machine OFF by depressing the ON/OFF switch again (not by pulling the plug). Move the machine upright to its new location and turn on.
13. If the unit is to be used indoors or on a surface where the evaporation from the condenser may puddle, use a water-catch-pan under the unit to help prevent slip and fall.
14. Turn machine ON using the ON/OFF switch. (Not by plugging in with machine switch ON).
15. Air coming from hose(s) will be cool enough for use within 60 seconds. Air will become maximally cold within five minutes, but will vary according to environmental conditions (Heat Index).
16. Polar Breeze® cools most efficiently through its Hood whereby the scalp and face are cooled while breathing cold air. Cold air in the lungs preferentially cools the bloodstream and thereby the internal organs. *Thus Polar Breeze® cools you from the inside out when the Hood is used.* The Hood/Hose connection can be before the face (Fig. 7) or behind the neck depending on your preference. The mildly stiff rim at the bottom of the Hood should be placed beneath the collar of user's shirt to hold the Hood in place and to exhaust its cold air over the chest and back for added surface cooling.

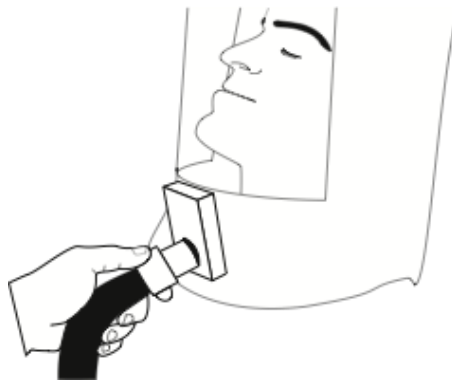


Fig. 7

17. Some prefer to place the hose directly in front of their nose and mouth and breath the cold air without a Hood. This is less efficient than the Hood but is acceptable if the user is claustrophobic within the Hood.
18. Hoods are disposable BUT can reused *by the same person* by cleaning both the inside and outside of the hood with bleach wipes or a bleach wash. You can write the user's name on the top of the hood with an indelible marker such as a Sharpie® indelible ink marker.
19. Polar Breeze® may also be used to surface-cool trunk, limbs, or other body parts directly. This is less efficient than the hood, but is more efficient when clothing is used to contain the Polar Breeze® cold airstream.

20. When an individual is in heat distress, use the Polar Breeze® only for that individual with the Hood or by blowing the cold air directly before the nose and mouth for direct lung and bloodstream cooling. This is the most effective and efficient method for rapid cooling. Call 911 immediately and follow their instructions.
21. If the person is in heat distress or is unconscious, call 911, then place the hose with cold air before his mouth and nose while stripping off clothes and proceeding with surface cooling baths per 911 instructions.
22. **NOTE: Use the hood only on a conscious person who is able to breath on his or her own. POLAR BREEZE® IS NOT A RESPIRATOR AND WILL NOT BREATH FOR THE USER.**
23. USE POLAR BREEZE® ONLY UNTIL YOU ARE COMFORTABLY COOL.
24. Shut off the unit by depressing the OFF button AFTER occluding both Ports for 15-seconds to blow out accumulated evaporator water condensate. Do not occlude both ports with Polar Breeze® running.
25. When the Polar Breeze® machine is turned off and immediately needs to be turned back on again, wait 15 seconds before depressing the ON button to allow the compressor to recycle.
26. Unplug the unit by pulling from the plug (not the cord) from the electrical source.
27. Attach or wrap the LCDI cord to the handle to help avoid loss or damage during transport and/or storage.
28. Clean the hoses that come into contact with user's skin with bleach wipes or a cup of bleach to a gallon of water prior to using on another person or animal.
29. Clean the unit prior to storage with a damp soft cloth with mild detergent. Take care not to spray water into the internal parts of the machine.
30. Transport the unit on level surfaces and do not tip. (It has a compressor and will need to stand upright for 24 hours before turning on. Read Important Safety Instructions.)
31. Store the unit in a clean area that does not contain gasoline, flammable vapors or liquids. This could cause an explosion and/or fire when starting Polar Breeze®.
32. A filter for Polar Breeze® is optional. Filters do decrease airflow through Polar Breeze® but should be considered in dusty or contaminated air conditions. A standard MERV #7 10" x 10" x 1" filter is recommended when a filter is desired. Inspect the filter monthly in standard conditions, but if used in dusty or contaminated air, inspect filter immediately after use. Replace the filter if mildly to moderately discolored. NOTE: Given the copious

condensate formed in the evaporator and removed from the airflow, dye-tests indicate this condensate acts as a water-filter for the whole airstream, even without any additional filter.

33. Filter installation/replacement is simple. Turn off and unplug Polar Breeze® and remove the four knurled nuts securing the filter cover and its thin plastic securing frame from the top of the unit. Take care not to damage the cover seal. Push the filter into the 10" x 10" depression revealed. Replace the plastic securing frame (hole aligned with blower intake) and air filter cover with intact seal. Re-secure air filter cover with all four knurled nuts.
34. Never touch internal metal parts of Polar Breeze® when removing the filter as sharp components may cause injury and electrical components may cause a shock.
35. If you have questions, difficulties in operation, or need clarifications for the Polar Breeze® machine, call 1-877-474-2841 or the 24-hour switchboard and one of the staff members will assist you.
36. Whenever you use an extension cord with the Polar Breeze® unit, be sure to follow the following wire gage/cord length recommendations:
 - Up to 25 feet, use at least a 14-gage extension cord.
 - Up to 50 feet, use at least a 12-gage extension cord.
 - Over 50 feet, use at least a 10-gage extension cord.